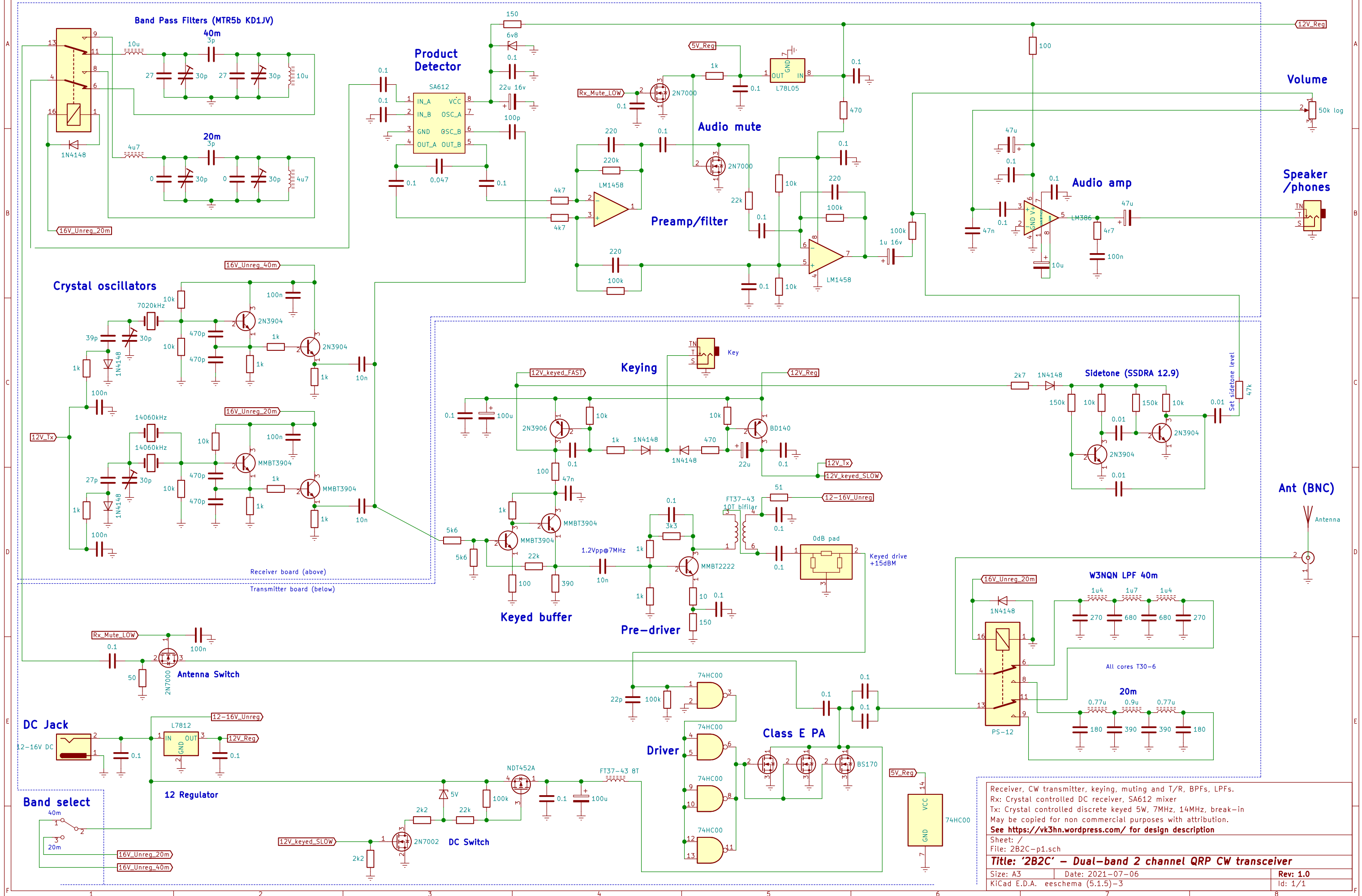


'SP-2B2C' Dual-band 2 channel QRP CW Transceiver by VK3HN



Receiver, CW transmitter, keying, muting and T/R, BPFs, LPFs.
 Rx: Crystal controlled DC receiver, SA612 mixer
 Tx: Crystal controlled discrete keyed 5W, 7MHz, 14MHz, break-in
 May be copied for non commercial purposes with attribution.
 See <https://vk3hn.wordpress.com/> for design description
 Sheet: /
 File: 2B2C-p1.sch
Title: '2B2C' - Dual-band 2 channel QRP CW transceiver
 Size: A3 Date: 2021-07-06 Rev: 1.0
 KiCad E.D.A. eeschema (5.1.5)-3 Id: 1/1